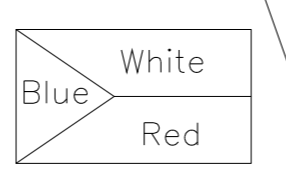
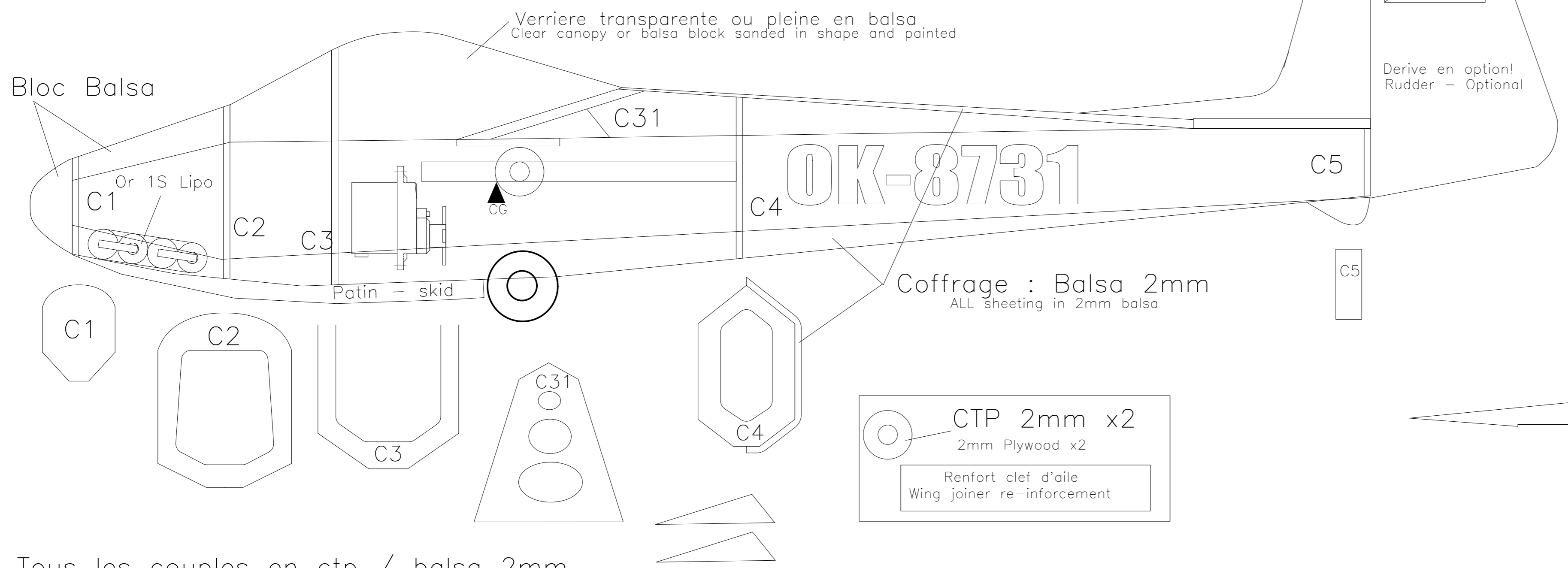
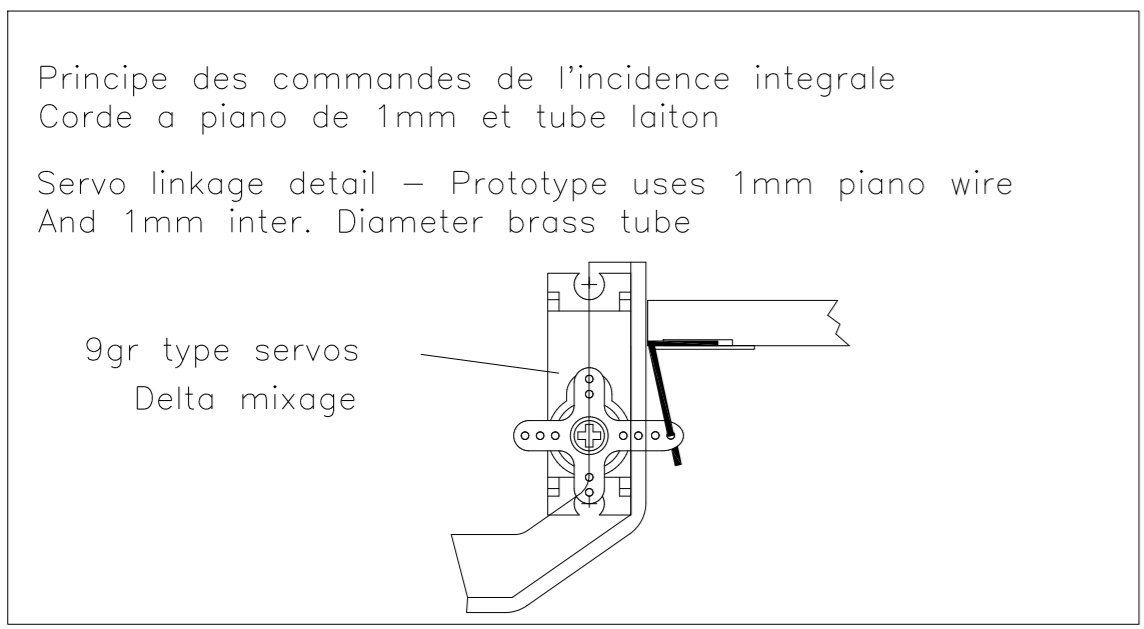
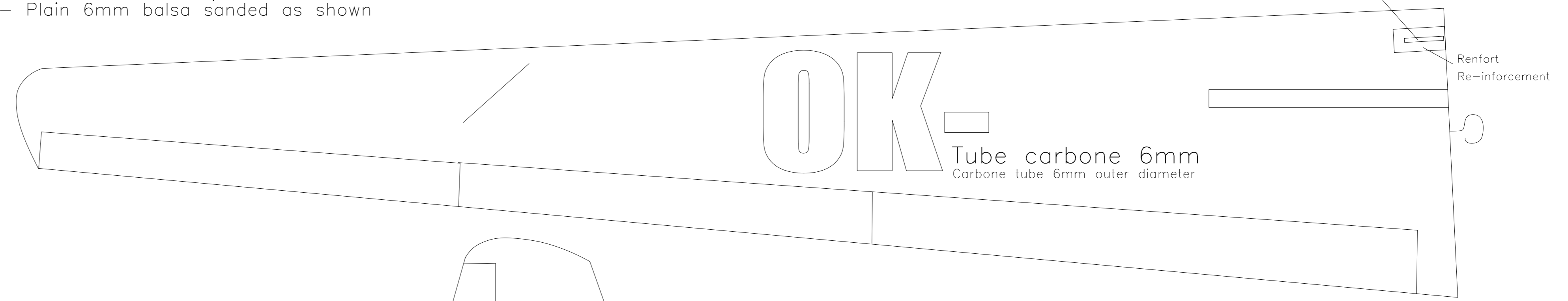




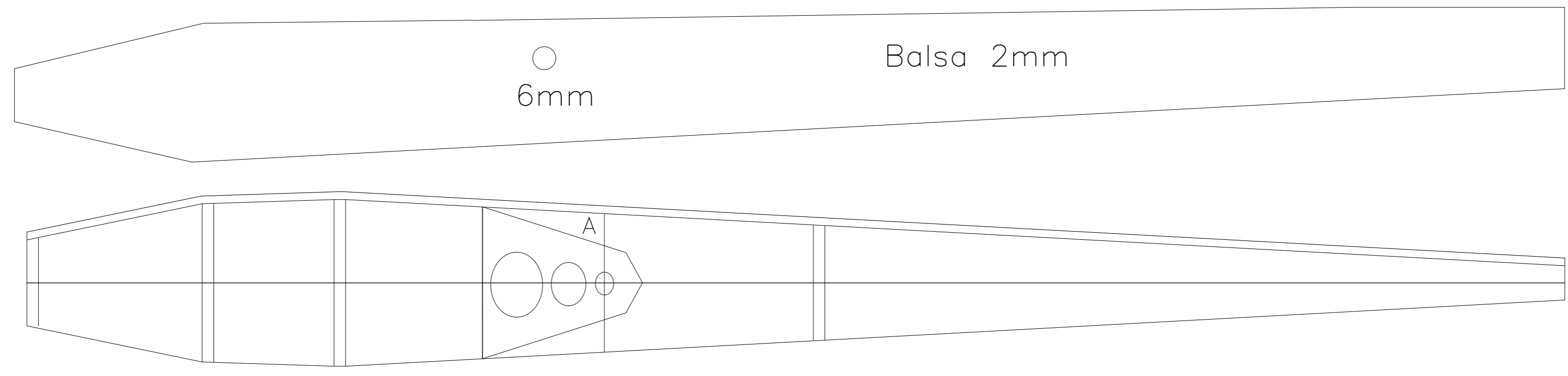
Ailes – Balsa 6mm ponc?es en forme
Wings – Plain 6mm balsa sanded as shown



Derive en option!
Rudder – Optional

Balsa 3mm

Tous les couples en ctp / balsa 2mm
ALL the formers are in Plywood or balsa 2mm



TN"! ('NTI \ 'Twp c m
Envergure : 1000mm
Longueur : 471mm
Incidence Integrale
Poids Proto – Proto AUW : 176g
Conception : Fred Marie
<http://www.gliderireland.net>
NOT FOR COMMERCIAL USE